

# KU4000 Enclosure Series

## 8 Terminal

Vertical PCB  
Screw Clamp



### TECHNICAL INFORMATION

**Electrical:** 16A, 300V, 22-12 AWG  
**Housing Material:** Glass-filled Polycarbonate  
**Temperature Range:** Up to 125°C (257°F)  
**Flammability Rating:** UL94 V-O  
**Color:** Light Gray

**Terminal Type:** Screw / Pressure Plate  
**Terminal Screw Size:** M3.5  
**Recommended Torque:** 0.8Nm  
**Max. PCB's:** (1) Vertical  
**Mounting:** 35mm DIN Rail or optional panel mounting\*

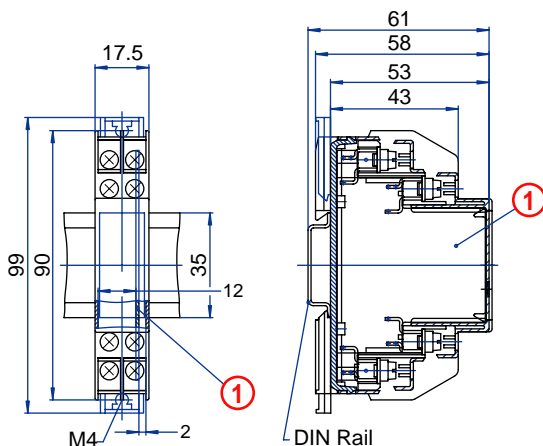
### ORDERING INFORMATION

| Part Number | Type    | Description      | PCB Connection                 |
|-------------|---------|------------------|--------------------------------|
| 91.201      | KU4001B | Right Angle Pins | Machine Solder/<br>Wire Jumper |

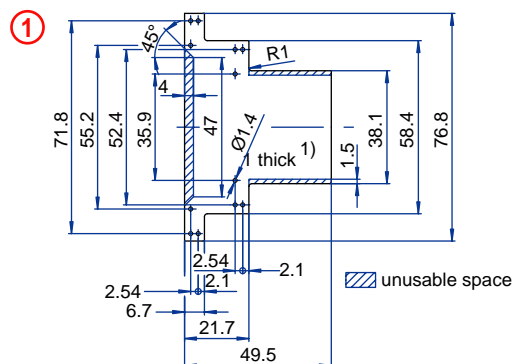
### ACCESSORIES

| Accessories                              | Part Number | Type        |
|--|-------------|-------------|
| 1 Meter DIN Rail                         | 2511120/1M  | TS35x7.5/1M |
| Screw-hole and Wire-Entry Cover Plug Set | 91.201.1    | SHPC        |
| *Panel Mount Tab                         | 93.001.5    | PMA/KU      |

### ENCLOSURE DRAWING (To convert to inches divide by 25.4.)



### PCB DRAWING (To convert to inches divide by 25.4.)



## 8 Terminal

Horizontal PCB  
Screw Clamp



### TECHNICAL INFORMATION

**Electrical:** 16A, 300V, 22-12 AWG  
**Housing Material:** Glass-filled Polycarbonate  
**Temperature Range:** Up to 125°C (257°F)  
**Flammability Rating:** UL94 V-O  
**Color:** Light Gray

**Terminal Type:** Screw / Pressure Plate  
**Terminal Screw Size:** M3.5  
**Recommended Torque:** 0.8Nm  
**Max. PCB's:** (1) Horizontal  
**Mounting:** 35mm DIN Rail or optional panel mounting\*

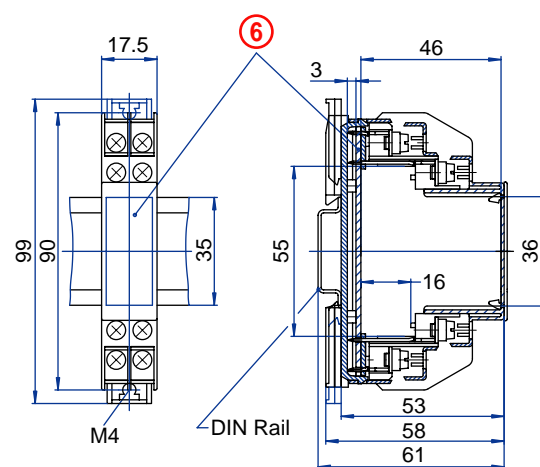
### ORDERING INFORMATION

| Part Number | Type    | Description   | PCB Connection |
|-------------|---------|---------------|----------------|
| 91.202      | KU4001C | Straight Pins | Machine Solder |

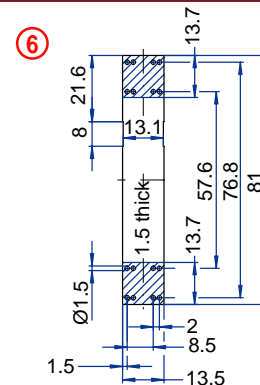
### ACCESSORIES

| Accessories                              | Part Number | Type        |
|--|-------------|-------------|
| 1 Meter DIN Rail                         | 2511120/1M  | TS35x7.5/1M |
| Screw-hole and Wire-Entry Cover Plug Set | 91.201.1    | SHPC        |
| *Panel Mount Tab                         | 93.001.5    | PMA/KU      |

### ENCLOSURE DRAWING (To convert to inches divide by 25.4.)



### PCB DRAWING (To convert to inches divide by 25.4.)



## 8 Terminal

Vertical PCB  
Spring Clamp



### TECHNICAL INFORMATION

|  |  |
|--|--|
| <b>Electrical:</b><br>10A, 300V, 22-12 AWG             | <b>Terminal Type:</b><br>Spring Cage Clamp                       |
| <b>Housing Material:</b><br>Glass-filled Polycarbonate | <b>Terminal Screw Size:</b><br>-                                 |
| <b>Temperature Range:</b><br>Up to 125°C (257°F)       | <b>Recommended Torque:</b><br>-                                  |
| <b>Flammability Rating:</b><br>UL94 V-O                | <b>Max. PCB's:</b><br>(1) Vertical                               |
| <b>Color:</b><br>Light Gray                            | <b>Mounting:</b><br>35mm DIN Rail or<br>optional panel mounting* |

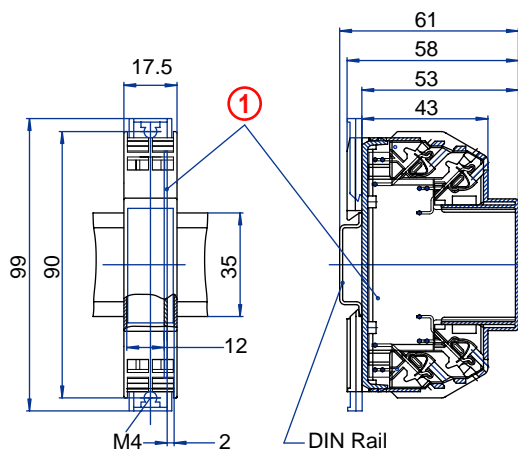
### ORDERING INFORMATION

| Part Number | Type    | Description      | PCB Connection                 |
|-------------|---------|------------------|--------------------------------|
| 91.501      | KU4037B | Right Angle Pins | Machine Solder/<br>Wire Jumper |

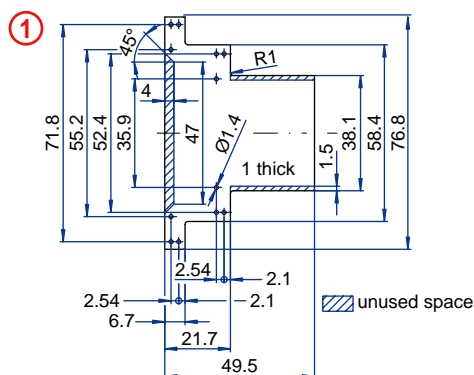
### ACCESSORIES

| Accessories      | Part Number | Type        |
|------------------|-------------|-------------|
| 1 Meter DIN Rail | 2511120/1M  | TS35x7.5/1M |
| *Panel Mount Tab | 93.001.5    | PMA/KU      |

### ENCLOSURE DRAWING (To convert to inches divide by 25.4.)



### PCB DRAWING (To convert to inches divide by 25.4.)



## 8 Terminal

Horizontal PCB  
Spring Clamp



### TECHNICAL INFORMATION

|  |  |
|--|--|
| <b>Electrical:</b><br>10A, 300V, 22-12 AWG             | <b>Terminal Type:</b><br>Spring Cage Clamp                       |
| <b>Housing Material:</b><br>Glass-filled Polycarbonate | <b>Terminal Screw Size:</b><br>-                                 |
| <b>Temperature Range:</b><br>Up to 125°C (257°F)       | <b>Recommended Torque:</b><br>-                                  |
| <b>Flammability Rating:</b><br>UL94 V-O                | <b>Max. PCB's:</b><br>(1) Horizontal                             |
| <b>Color:</b><br>Light Gray                            | <b>Mounting:</b><br>35mm DIN Rail or<br>optional panel mounting* |

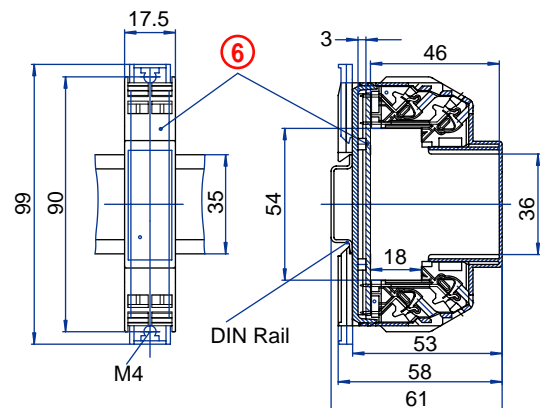
### ORDERING INFORMATION

| Part Number | Type    | Description   | PCB Connection |
|-------------|---------|---------------|----------------|
| 91.502      | KU4037C | Straight Pins | Machine Solder |

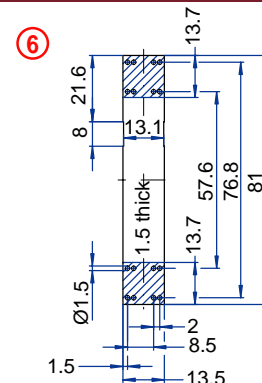
### ACCESSORIES

| Accessories      | Part Number | Type        |
|------------------|-------------|-------------|
| 1 Meter DIN Rail | 2511120/1M  | TS35x7.5/1M |
| *Panel Mount Tab | 93.001.5    | PMA/KU      |

### ENCLOSURE DRAWING (To convert to inches divide by 25.4.)



### PCB DRAWING (To convert to inches divide by 25.4.)



# KU4000 Enclosure Series

## 8 Terminal

Tall Vertical PCB  
Screw Clamp



### TECHNICAL INFORMATION

**Electrical:** 16A, 300V, 22-12 AWG  
**Housing Material:** Glass-filled Polycarbonate  
**Temperature Range:** Up to 125°C (257°F)  
**Flammability Rating:** UL94 V-O  
**Color:** Light Gray

**Terminal Type:** Screw / Pressure Plate  
**Terminal Screw Size:** M3.5  
**Recommended Torque:** 0.8Nm  
**Max. PCB's:** (1) Vertical  
**Mounting:** 35mm DIN Rail or optional panel mounting\*

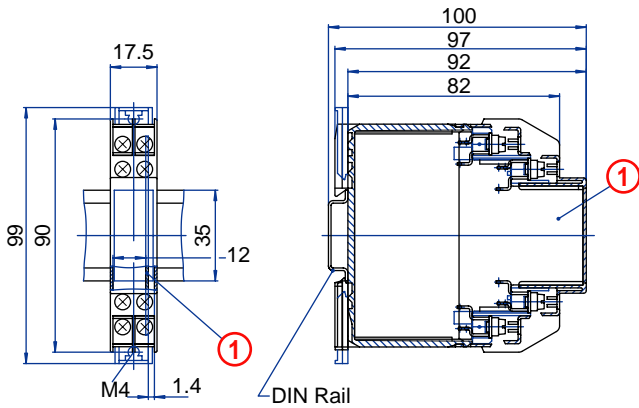
### ORDERING INFORMATION

| Part Number | Type     | Description      | PCB Connection                 |
|-------------|----------|------------------|--------------------------------|
| 91.203      | KU4001BT | Right Angle Pins | Machine Solder/<br>Wire Jumper |

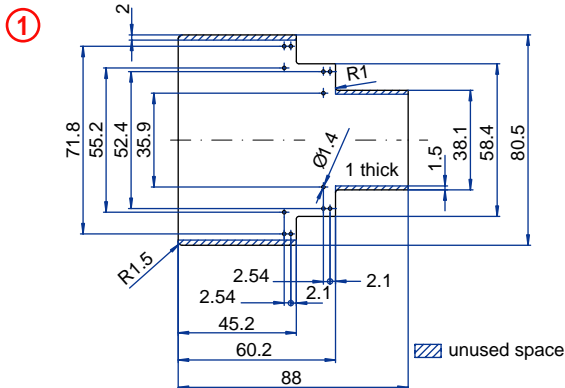
### ACCESSORIES

| Accessories                              | Part Number | Type        |
|--|-------------|-------------|
| 1 Meter DIN Rail                         | 2511120/1M  | TS35x7.5/1M |
| Screw-hole and Wire-Entry Cover Plug Set | 91.201.1    | SHPC        |
| *Panel Mount Tab                         | 93.001.5    | PMA/KU      |

### ENCLOSURE DRAWING (To convert to inches divide by 25.4.)



### PCB DRAWING (To convert to inches divide by 25.4.)



## 8 Terminal

Tall Vertical PCB  
Spring Clamp



### TECHNICAL INFORMATION

**Electrical:** 10A, 300V, 22-12 AWG  
**Housing Material:** Glass-filled Polycarbonate  
**Temperature Range:** Up to 125°C (257°F)  
**Flammability Rating:** UL94 V-O  
**Color:** Light Gray

**Terminal Type:** Spring Cage Clamp  
**Terminal Screw Size:** -  
**Recommended Torque:** -  
**Max. PCB's:** (1) Vertical  
**Mounting:** 35mm DIN Rail or optional panel mounting\*

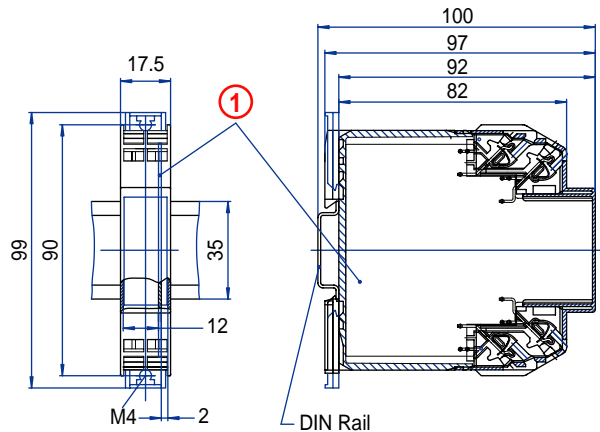
### ORDERING INFORMATION

| Part Number | Type     | Description      | PCB Connection                 |
|-------------|----------|------------------|--------------------------------|
| 91.503      | KU4037BT | Right Angle Pins | Machine Solder/<br>Wire Jumper |

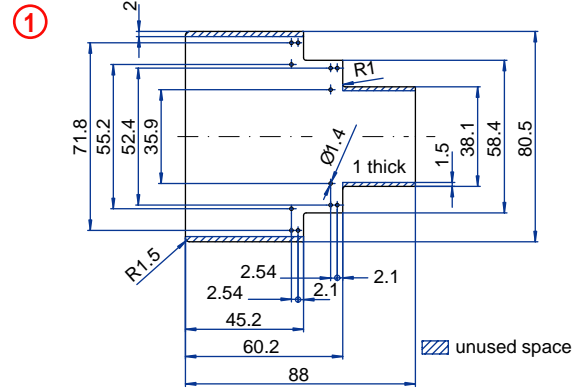
### ACCESSORIES

| Accessories      | Part Number | Type        |
|------------------|-------------|-------------|
| 1 Meter DIN Rail | 2511120/1M  | TS35x7.5/1M |
| *Panel Mount Tab | 93.001.5    | PMA/KU      |

### ENCLOSURE DRAWING (To convert to inches divide by 25.4.)



### PCB DRAWING (To convert to inches divide by 25.4.)



## 16 Terminal

Vertical PCB  
Screw Clamp



### TECHNICAL INFORMATION

**Electrical:** 16A, 300V, 22-12 AWG  
**Housing Material:** Glass-filled Polycarbonate  
**Temperature Range:** Up to 125°C (257°F)  
**Flammability Rating:** UL94 V-O  
**Color:** Light Gray

**Terminal Type:** Screw / Pressure Plate  
**Terminal Screw Size:** M3.5  
**Recommended Torque:** 0.8Nm  
**Max. PCB's:** (2) Vertical  
**Mounting:** 35mm DIN Rail or optional panel mounting\*

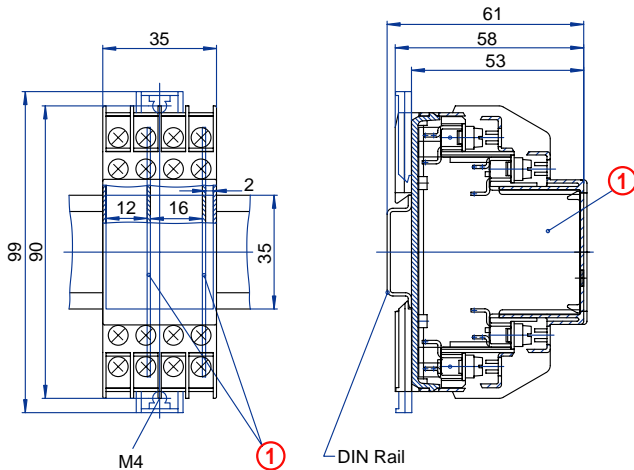
### ORDERING INFORMATION

| Part Number | Type    | Description      | PCB Connection                 |
|-------------|---------|------------------|--------------------------------|
| 91.240      | KU4002B | Right Angle Pins | Machine Solder/<br>Wire Jumper |

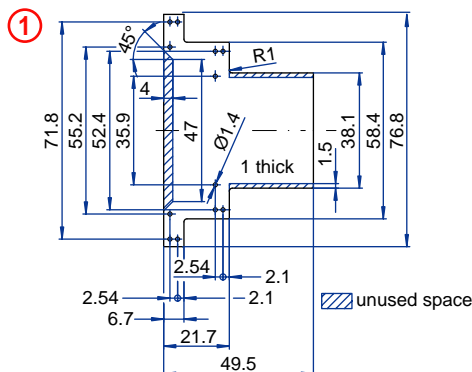
### ACCESSORIES

| Accessories                              | Part Number | Type        |
|--|-------------|-------------|
| 1 Meter DIN Rail                         | 2511120/1M  | TS35x7.5/1M |
| Screw-hole and Wire-Entry Cover Plug Set | 91.201.1    | SHPC        |
| *Panel Mount Tab                         | 93.001.5    | PMA/KU      |

### ENCLOSURE DRAWING (To convert to inches divide by 25.4.)



### PCB DRAWING (To convert to inches divide by 25.4.)



## 16 Terminal

Horizontal PCB  
Screw Clamp



### TECHNICAL INFORMATION

**Electrical:** 16A, 300V, 22-12 AWG  
**Housing Material:** Glass-filled Polycarbonate  
**Temperature Range:** Up to 125°C (257°F)  
**Flammability Rating:** UL94 V-O  
**Color:** Light Gray

**Terminal Type:** Screw / Pressure Plate  
**Terminal Screw Size:** M3.5  
**Recommended Torque:** 0.8Nm  
**Max. PCB's:** (1) Horizontal  
**Mounting:** 35mm DIN Rail or optional panel mounting\*

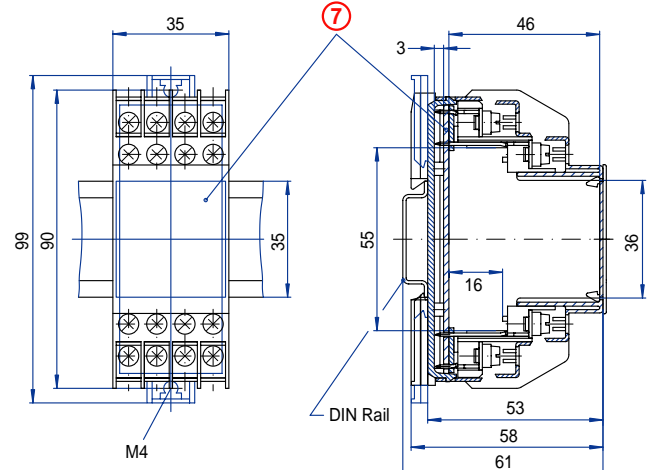
### ORDERING INFORMATION

| Part Number | Type    | Description   | PCB Connection |
|-------------|---------|---------------|----------------|
| 91.220      | KU4002C | Straight Pins | Machine Solder |

### ACCESSORIES

| Accessories                              | Part Number | Type        |
|--|-------------|-------------|
| 1 Meter DIN Rail                         | 2511120/1M  | TS35x7.5/1M |
| Screw-hole and Wire-Entry Cover Plug Set | 91.201.1    | SHPC        |
| *Panel Mount Tab                         | 93.001.5    | PMA/KU      |

### ENCLOSURE DRAWING (To convert to inches divide by 25.4.)



### PCB DRAWING (To convert to inches divide by 25.4.)

